



AMSMILE20V2 PIR DETECTOR



ENGLISH

1. INTRODUCTION

AMSMILE20V2 is a Digital PIR sensor, with an analysis system that takes into account the two most important changes that may occur during a movement: the speed and the intensity. With the simultaneous comparison of these two information, the sensor is able to discriminate repetitive movements from intrusion, lowering the percentage of false alarms. With high thermal variations, the totally digital temperature compensation system, guarantees a great performance. Is equipped with internal resistors EOL. Has 15mt coverage, with angle of 90°. With the special lens is equipped of creep zone.

ENGLISH

2. INSTALLATION PROCEDURE

- By using a thin screwdriver, push the round tooth on the bottom and open the housing (see figure 1)
- Remove the PCB from the base by levering on the ABS clip support (see figure 2)
- Pierce the knockouts on the base of the housing on the desired point for fixing, or use the optional swivel bracket (see figure 2)
- recommended height 2mt
- slide the cable into the back seat, and out of the top hole
- Wire up the terminals following the connections shown in figure 3.

ENGLISH

3. START UP

During the START UP (immediately after applying power) the signaling LED will flash intermittently. The stabilization time of the threshold is 1 minute. After this time it is possible to perform the range test.

GENERAL VIEW

INSIDE VIEW

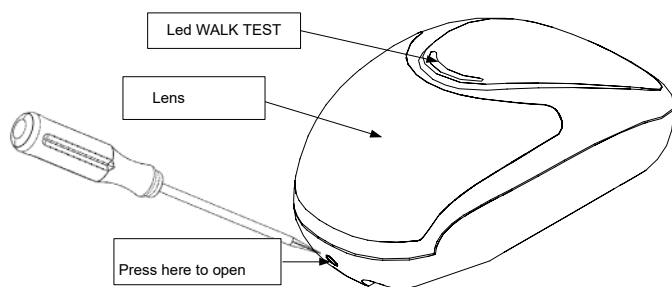


Figure 1

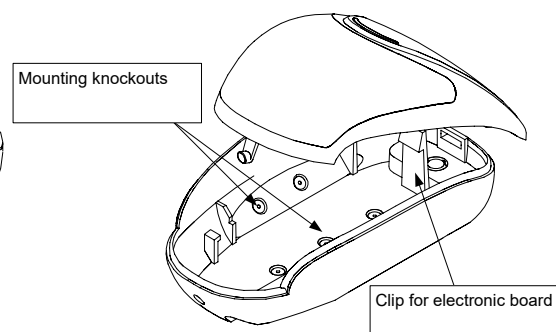
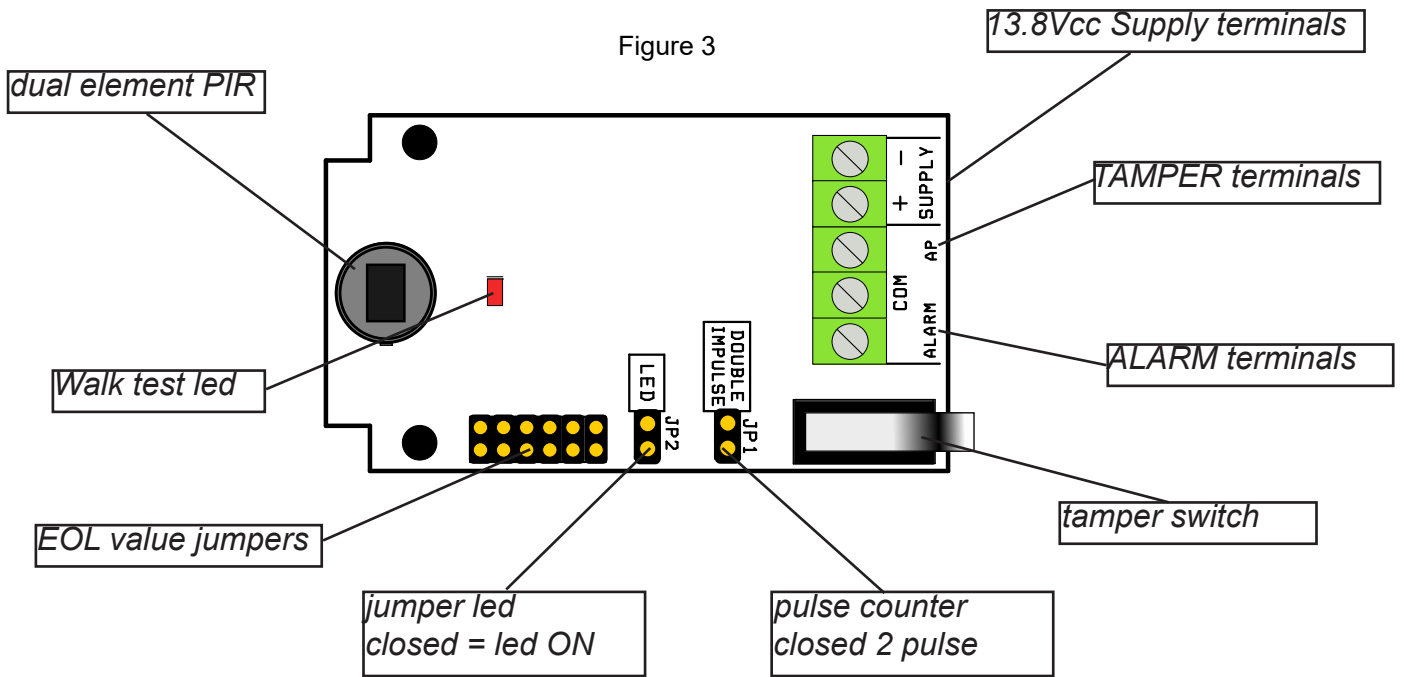


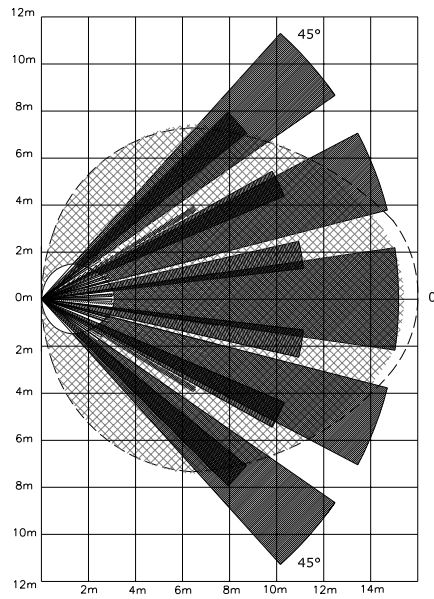
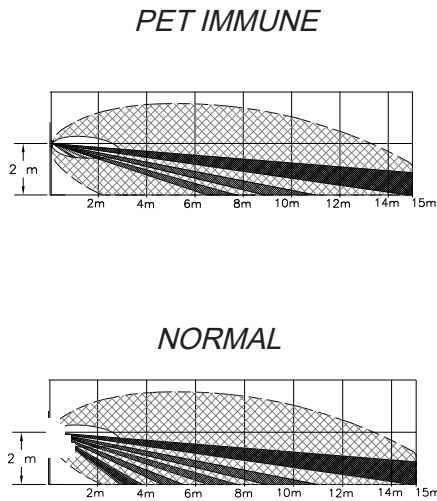
Figure 2

BOARD DESCRIPTION

Figure 3



LENS

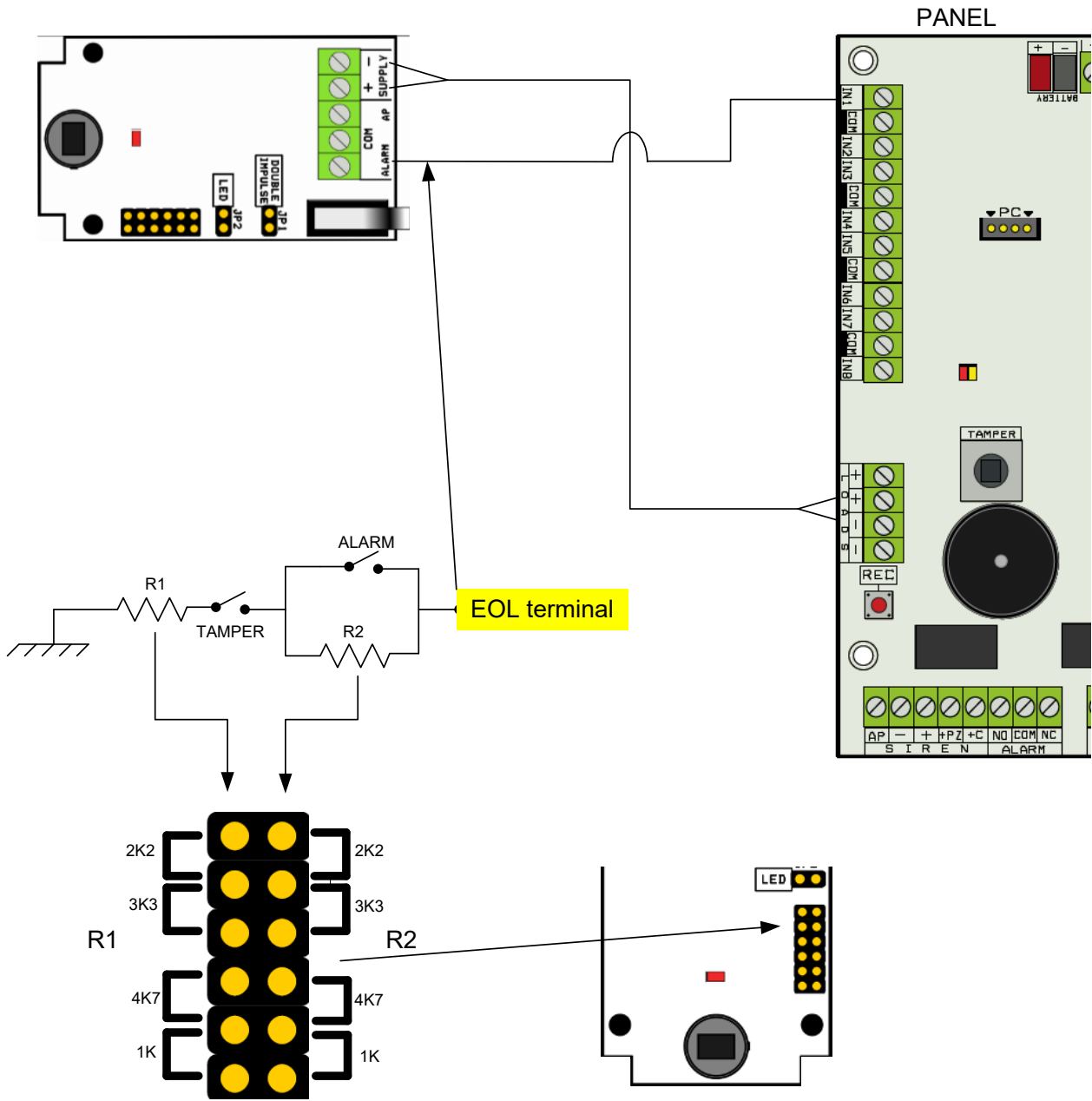


SMILE 20 allows a range of 15 mt, the special lens shape provides a horizontal coverage of more than 90° with 29 patterns on 5 levels.

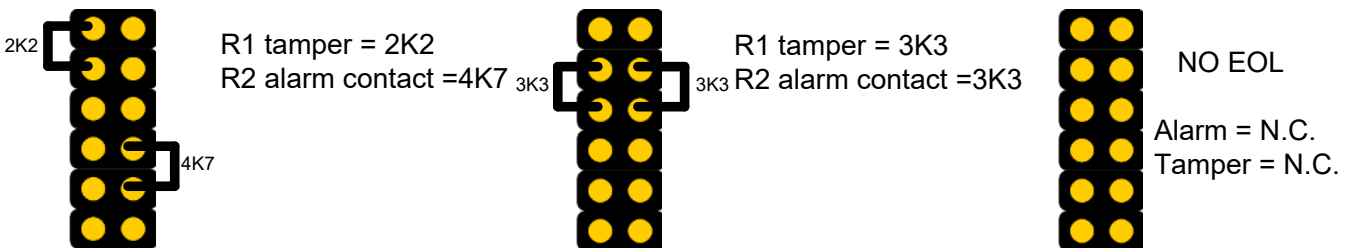
NOTE: do not cover, partially or completely, the field of vision of the detector

3. ADJUSTMENTS AND CONNECTION

AP: Tamper terminal
ALARM Alarm terminal
SUPPLY: power supply 13.8Vcc
JP1: pulse counter (open 1 pulse - closed 2 pulse)
JP2: Walk test led (closed enable)



It is possible to have different set value, see figure:



SPECIFICATIONS

AMSMILE20V2	
<i>Input Voltage</i>	<i>9.5 to 15 Vcc</i>
<i>Current Drain</i>	<i>(12mA / 23mA) @ 13.8 Vcc</i>
<i>Coverage</i>	<i>15 mt</i>
<i>Angle</i>	<i>90°</i>
<i>PIR</i>	<i>2 elements</i>
<i>Lens</i>	<i>29 patterns on 3/5 levels</i>
<i>Anti-opening</i>	<i>✓</i>
<i>Creep zone</i>	<i>✓</i>
<i>Alarm contact</i>	<i>0.2 A - 24 Vcc</i>
<i>Tamper switch</i>	<i>Max 40 mA - 30 Vcc</i>
<i>Operating temperature</i>	<i>From -10 °C to +55 °C</i>
<i>Protection</i>	<i>30 V / m (20 MHz - 2000 MHz)</i>
<i>Led WALK TEST</i>	<i>✓</i>
<i>WALK TEST IN</i>	<i>✓</i>
<i>Cover / Housing</i>	<i>ABS</i>
<i>Dimensions</i>	<i>110 x 60 x 46 mm</i>

Meets the requirements: EN 50131-2-2 Grade 2 EN 50131-2-2 Class 2

Installation must be carried out following the local installation norms by qualified personnel.

The manufacturer refuses any responsibility when changes or unauthorized repairs are made to the product/system.

It is recommended to test the operation of the alarm product/system at least once a month. Despite frequent testing and due to, but not limited to, any or all of the following: tampering, electrical or communication disruption or improper use, it is possible for the product/system to fail to prevent burglary, robbery, fire or otherwise. A properly installed and maintained alarm system can only reduce the risk that this happens.