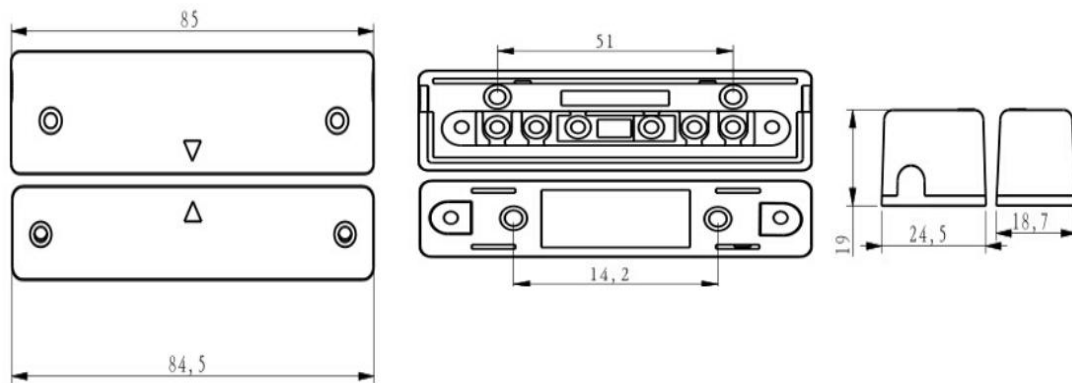


Specification

Model	NESMRTW
Contact type	NC
Operating gap	≥50mm (Undisturbed test)
Max. switching voltage	100V DC/AC
Max. switching current	0.5A

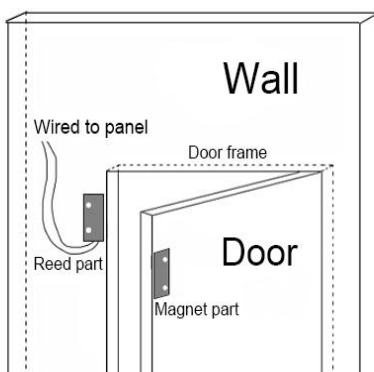
Operating load	10W
Working temperature	-20~80°C
Working life	> 100,000 times
Connection type	Screws
Material	ABS

Diagram



Installation

Surface mounted



1. Surface/Roller shutter mounted should be fixed with screws or double-sided tape.
2. Flush mounted should be fixed between the door and door frame.
3. Install magnet to the edge of door and the reed part to the edge of the door frame, as close to magnet part as possible.
4. Wire the reed part to panel.

Warranty

Neptune Security Products warrants that this product to be free from defects in materials and workmanship for a period of one (1) year from date of purchase. In the event of failure, Neptune Security Products will replace or repair the product at its sole discretion, and will not be responsible for any loss or damages in association with uses of its products. This warranty does not apply in the event of accidental damage and improper use, abuse, misuse, non approved purpose or act of God.